

# Flow Sleeve for C-SJ Pumps

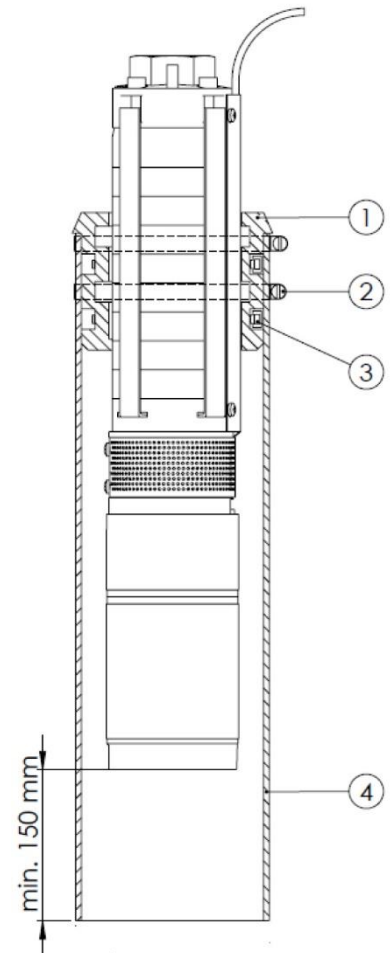
## Device to protect the pump from dirt and for motor cooling

A flow sleeve is a sleeve that goes around the pump body and motor. It has two functions:

1. **A flow sleeve reduces the amount of dirt in the pump.** Where water sources contain sand or have the potential for dirt falling into them (uncapped wells) a flow sleeve is recommended to protect the pump from dirt. Due to the large inner diameter of the flow sleeve the water rises very slowly and dirt deposits at the bottom of the well. Subsequently, water with less sediments enters the pump which increases its lifetime.
2. **A flow sleeve cools the motor.** In open water, tanks or pools there is no natural flow of water across the motor which can lead to heat build-up. The tube enforces water flow across the motor which has a cooling effect.

## FEATURES

- Due to the large inner diameter of the flow sleeve the water rises very slowly allowing dirt to settle at the bottom of the well
- The life expectancy of the pump is increased due to less sand entering the pump
- Simple installation
- The flow sleeve must be selected according to the pump system (see table)
- The required borehole diameter depends on the diameter of the flow sleeve



## ORDER INFORMATION (please compare (1), (2) etc. with the sample flow sleeve)

| Item no.  | Product name                                             | Scope of delivery                                                                                                                                          | Suitable for                                  |
|-----------|----------------------------------------------------------|------------------------------------------------------------------------------------------------------------------------------------------------------------|-----------------------------------------------|
| 19-000230 | Flow Sleeve Kit for 4" C-SJ Pumps with 4" Motor          | (1) 1 x adaptor<br>(2) 2 x hose clamp<br>(3) 2 x cable strip<br>(4) 1 x PVC tube: D140x4, 0.5 m length                                                     | All 4" C-SJ pump ends with 4" motor           |
| 19-000250 | Flow Sleeve Adaptor for 4" C-SJ Pumps with 4" Motor      | (1) 1 x adaptor<br>(2) 2 x hose clamp<br>(3) 2 x cable strip<br><br>A PVC tube D140x4mm (4) is not part of the scope of delivery.                          | All 4" C-SJ pump ends with 4" motor           |
| 19-000255 | Flow Sleeve Adaptor for C-SJ17-X/30-X with 4" motor      | (1) 1 x adaptor<br>(2) 2 x screw 4.2x16<br>(3) 1 x hose clamp<br><br>A PVC tube D160x4mm (4) is not part of the scope of delivery.                         | All C-SJ17-X/30-X with 4" motor               |
| 19-005170 | Flow Sleeve Kit for C-SJ42-X Pumps                       | (1) 1 x adaptor<br>(2) 2 x hose clamp d =190-210 mm<br>(3) 2 x hose clamp d= 150-170 mm<br>(4) 1 x PVC tube: D200x5, 1.4 m length                          | All C-SJ42-X pumps                            |
| 19-005180 | Flow Sleeve Adaptor for C-SJ42-X Pumps                   | (1) 1 x adaptor<br>(2) 2 x hose clamp d=190-210 mm<br>(3) 2 x hose clamp d=150-170 mm<br><br>A PVC tube D200x5mm (4) is not part of the scope of delivery. | All C-SJ42-X pumps                            |
| 19-001400 | Flow Sleeve Kit for C-SJ8-x/12-x for 6" motor with tube  | (1) 1x adaptor<br>(2) 2x hose clamp d=190-210 mm<br>(3) 2x hose clamp d=150-170 mm<br>(4) 1x PVC tube: D200x5, 1,4m length                                 | All C-SJ8-x and C-SJ12-x pumps with 6" motor  |
| 19-001450 | Flow Sleeve Adaptor for C-SJ8-x/12-x for 6" motor        | (1) 1x adaptor<br>(2) 2x hose clamp d=190-210 mm<br>(3) 2x hose clamp d=150-170 mm<br><br>A PVC tube D200x5mm (4) is not part of the scope of delivery.    | All C-SJ8-x and C-SJ12-x pumps with 6" motor  |
| 19-001410 | Flow Sleeve Kit for C-SJ17-x/30-x for 6" motor with tube | (1) 1x adaptor<br>(2) 2x hose clamp d=190-210 mm<br>(3) 2x hose clamp d=150-170 mm<br>(4) 1x PVC tube: D200x5, 1,4m length                                 | All C-SJ17-x and C-SJ30-x pumps with 6" motor |
| 19-001460 | Flow Sleeve Adaptor for C-SJ17-x/30-x for 6" motor       | 1x adaptor<br>2x hose clamp d=190-210 mm<br>2x hose clamp d=150-170 mm<br><br>A PVC tube D200x5mm (4) is not part of the scope of delivery.                | All C-SJ17-x and C-SJ30-x pumps with 6" motor |

## DIMENSIONS/WEIGHT

### Flow Sleeve Kit for 4" C-SJ Pumps with 4" Motor (19-000230):

- Packaging dimensions: 590 x 150 x 130 mm  
23.2 x 6.0 x 5.1 in sample flow sleeve
- Total weight: 3.3 kg / 7.3 lbs

### Flow Sleeve Adaptor for 4" C-SJ Pumps with 4" Motor (19-000250, without tube):

- Packaging dimensions: 165 x 165 x 110 mm  
6.5 x 6.5 x 4.3 in
- Total weight: 1.2 kg / 2.6 lbs

### Flow Sleeve Adaptor for C-SJ17-X/30-X with 4" motor (19-000255, without tube):

- Packaging dimensions: 165 x 165 x 110 mm  
6.5 x 6.5 x 4.3 in
- Total weight: 1.2 kg / 2.6 lbs

### Flow Sleeve Kit for C-SJ42-X Pumps (19-005170):

- Packaging dimensions: 1500 x 205 x 215 mm  
59.0 x 8.1 x 8.5 in
- Total weight: 9.3 kg / 20.6 lbs

### Flow Sleeve Adaptor for C-SJ42-X Pumps (19-005180, without tube):

- Packaging dimensions: 230 x 230 x 130 mm  
9.1 x 9.1 x 5.1 in
- Total weight: 1.9 kg / 4.2 lbs

### Flow Sleeve Kit for C-SJ8-X/12-X Pumps (19-001400):

- Packaging dimensions: 1510 x 215 x 235 mm  
59.4 x 8.4 x 9.2 in
- Total weight: 11 kg / 24.3 lbs

### Flow Sleeve Adaptor for C-SJ8-X/12-X Pumps (19-001450, without tube):

- Packaging dimensions: 220 x 220 x 130 mm  
8.6 x 8.6 x 5.1 in
- Total weight: 3 kg / 6.61 lbs

### Flow Sleeve Kit for C-SJ17-X/30-X Pumps (19-001410):

- Packaging dimensions: 1510 x 215 x 235 mm  
59.4 x 8.4 x 9.2 in
- Total weight: 11 kg / 24.3 lbs

### Flow Sleeve Adaptor for C-SJ17-X/30-X Pumps (19-001460, without tube):

- Packaging dimensions: 220 x 220 x 130 mm  
8.6 x 8.6 x 5.1 in
- Total weight: 3 kg / 6.61 lbs

#### BERNT LORENTZ GmbH

Siebenstuecken 24, 24558 Henstedt-Ulzburg, Germany  
Tel +49 (0)4193 8806-700, [www.lorentz.de](http://www.lorentz.de)

**Sun. Water. Life.**

All specifications and information are given with good intent, errors are possible and products may be subject to change without notice.  
Pictures may differ from actual products depending on local market requirements and regulations.